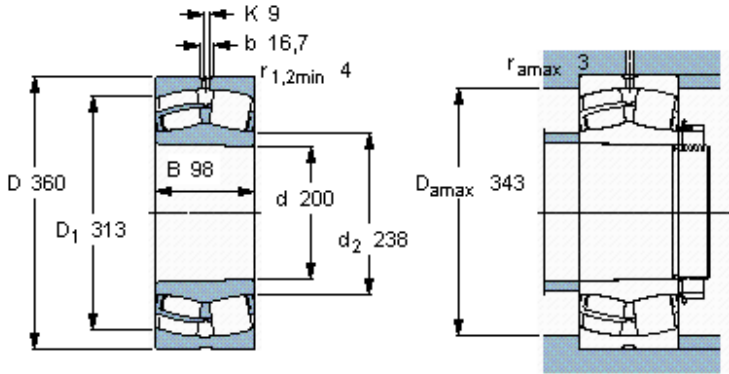


Spherical roller bearings, cylindrical and tapered bore

Principal dimensions			Basic load ratings		Speed ratings		Designation
d	D	B	dynamic C	static C0	Reference speed	Limiting speed	
mm			kN		r/min		
<b>200</b>	360	98	1526	1930	1600	2200	<b>* SKF Explorer bearing</b> - 22240 CCK/W33 *



Tapered bore, taper  
1: 12

**Calculation factors**

- e 0,26
- $Y_1$  2,6
- $Y_2$  3,9
- $Y_0$  2,5